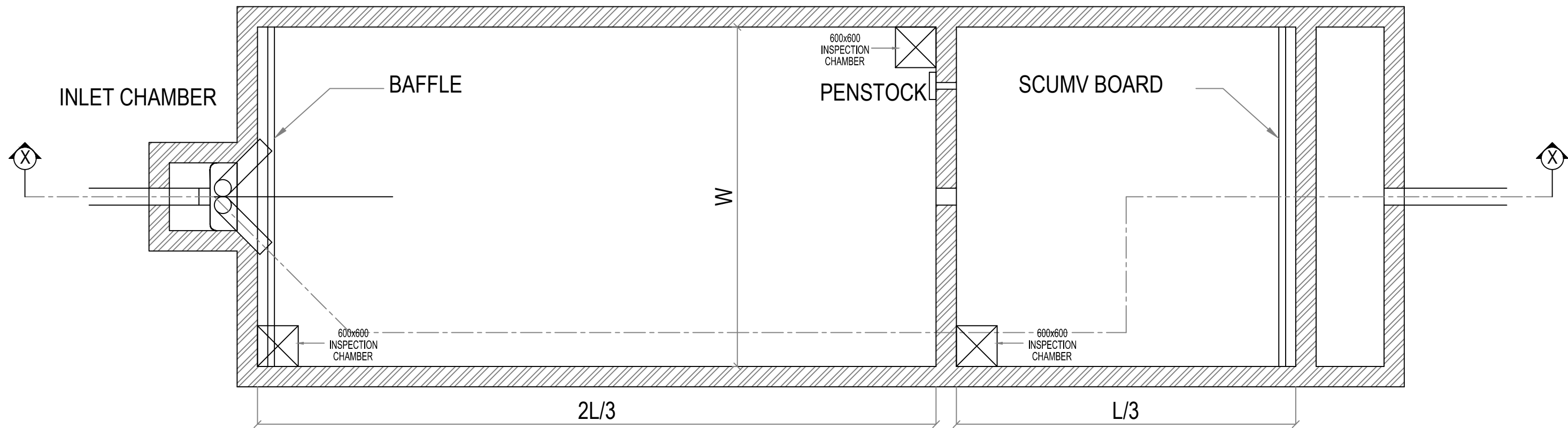
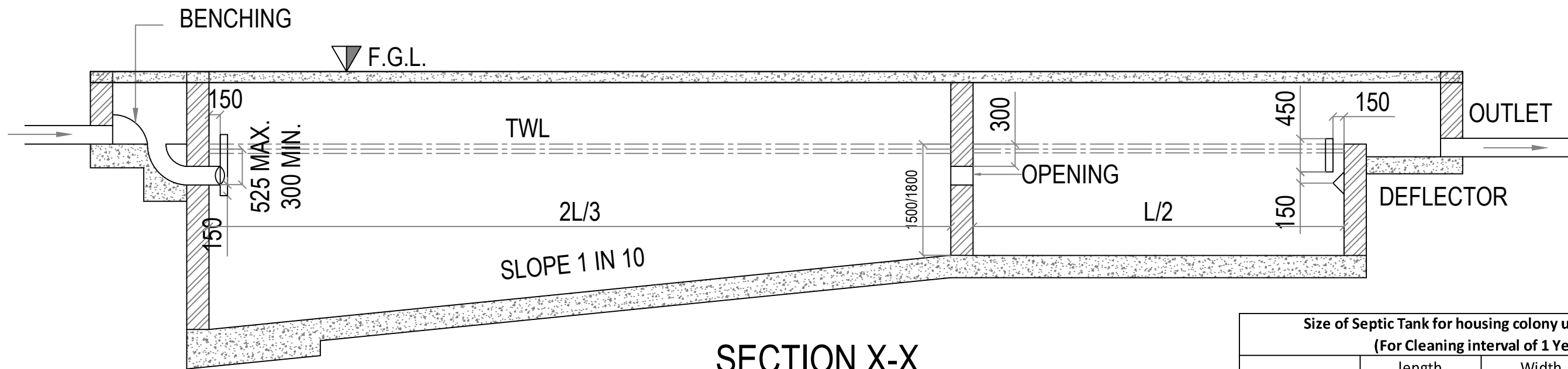


Septic tank Design as per IS: 2470 Part - 1



PLAN

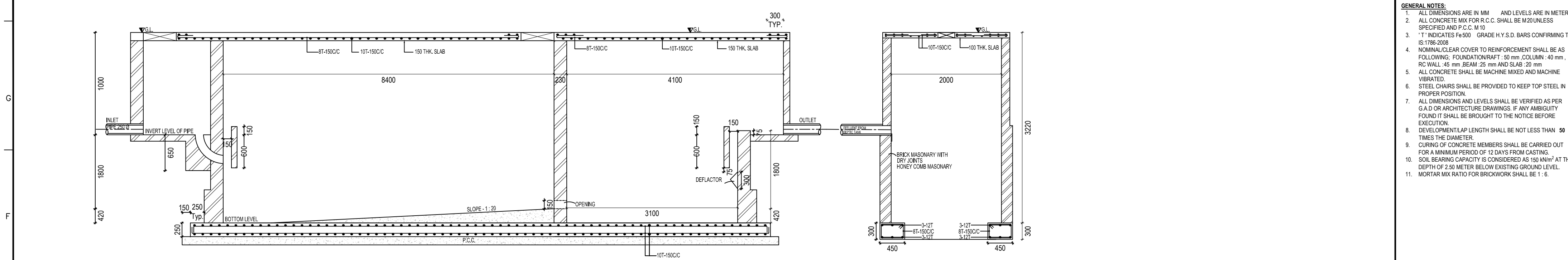


SECTION X-X

TYPICAL SKETCH OF TWO COMPARTMENT SEPTIC TANK

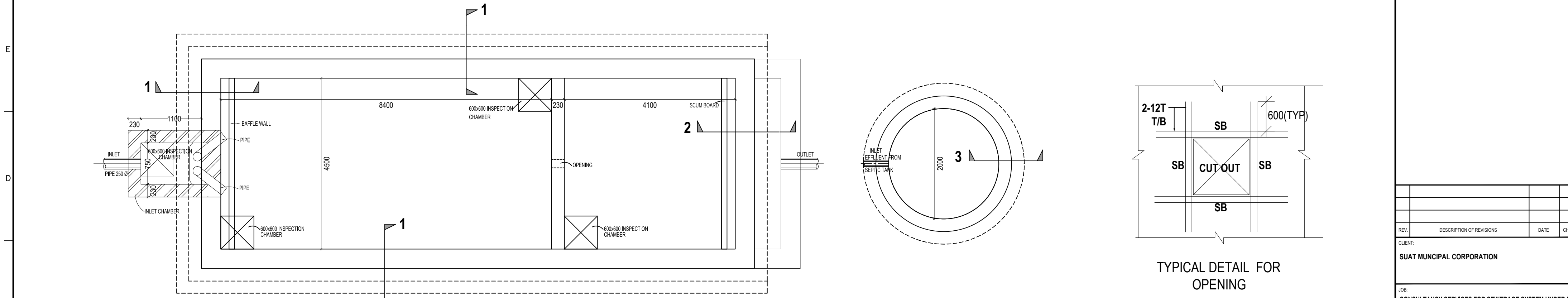
Size of Septic Tank for housing colony upto 250 users (For Cleaning interval of 1 Year)			
Nos. Of Users	length (m)	Width (m)	Liquid Depth (m)
100	5.50	2.00	1.80
	6.50	2.50	1.50
150	7.00	2.50	1.80
	7.50	2.50	1.50
200	8.00	3.00	1.80
	9.00	3.00	1.50
250	9.00	3.00	1.80
	10.00	3.50	1.50

13 12 11 10 9 8 7 6 5 4 3 2 1



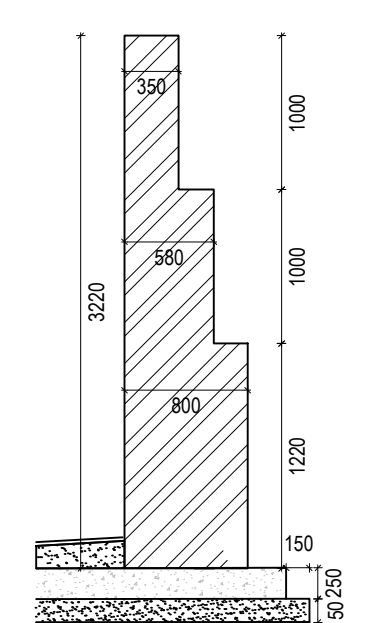
SEPTIC TANK CROSS SECTION

SOAK PIT CROSS SECTION

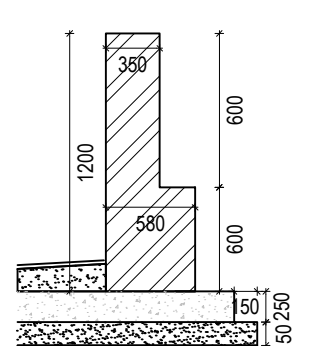


SEPTIC TANK PLAN

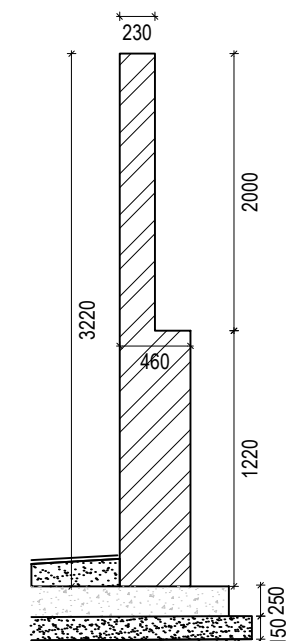
TYPICAL DETAIL FOR OPENING



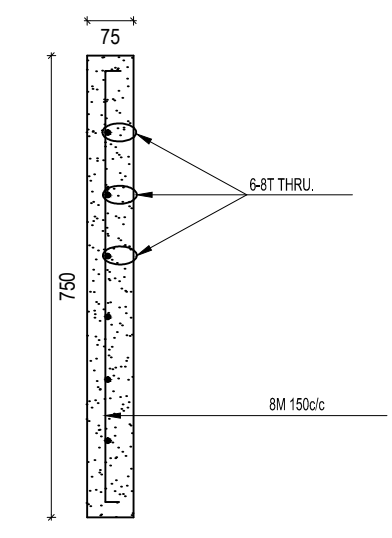
SECTION 1-1



SECTION 2-2



SECTION 3-3



R.C.C. BAFFLE WALL

- GENERAL NOTES:**
1. ALL DIMENSIONS ARE IN MM AND LEVELS ARE IN METER
 2. ALL CONCRETE MIX FOR R.C.C. SHALL BE M20 UNLESS SPECIFIED AND P.C.C. M 10
 3. 'T' INDICATES Fe500 GRADE H.Y.S.D. BARS CONFIRMING TO IS:1786-2008
 4. NOMINAL CLEAR COVER TO REINFORCEMENT SHALL BE AS FOLLOWING: FOUNDATION/RAFT: 50 mm, COLUMN: 40 mm, RC WALL: 45 mm, BEAM: 25 mm AND SLAB: 20 mm
 5. ALL CONCRETE SHALL BE MACHINE MIXED AND MACHINE VIBRATED
 6. STEEL CHAIRS SHALL BE PROVIDED TO KEEP TOP STEEL IN PROPER POSITION
 7. ALL DIMENSIONS AND LEVELS SHALL BE VERIFIED AS PER G.A.D OR ARCHITECTURE DRAWINGS. IF ANY AMBIGUITY FOUND IT SHALL BE BROUGHT TO THE NOTICE BEFORE EXECUTION.
 8. DEVELOPMENT LAP LENGTH SHALL BE NOT LESS THAN 50 TIMES THE DIAMETER.
 9. CURING OF CONCRETE MEMBERS SHALL BE CARRIED OUT FOR A MINIMUM PERIOD OF 12 DAYS FROM CASTING.
 10. SOIL BEARING CAPACITY IS CONSIDERED AS 150 kN/m² AT THE DEPTH OF 2.50 METER BELOW EXISTING GROUND LEVEL.
 11. MORTAR MIX RATIO FOR BRICKWORK SHALL BE 1:6.

REV.	DESCRIPTION OF REVISIONS	DATE	CHECK

CLIENT:
SUAT MUNICIPAL CORPORATION

JOB:
CONSULTANCY SERVICES FOR SEWERAGE SYSTEM UNDER NEW NORTH DRAINAGE ZONE OF SURAT MUNICIPAL CORPORATION

DRAWING TITLE:
R.C.C. DETAILS OF SEPTIC TANK

CHECKED BY:	ABHISHEK	APPROVED BY:	MAYANK MITHAWALA
DRAWN:	MITHUN	SCALE:	N.T.S
DESIGNED:	GREENDES	DATE:	26-10-2020
SURVEYED:	GDES		

DRAWING NO:
GREEN/SEW/NN/SEW/LT/002



**BHATAR TRADE CENTRE,
3RD BUILDING, 3RD FLOOR,
NR. MAHALAXMICOMPLEX,
BHATAR CHAR RASTA,
SURAT- 395017**
E-MAIL: green.des.india@gmail.com
info@greendes.com

THIS DRAWING CONTAINS CONFIDENTIAL PROPRIETARY INFORMATION OF GREEN DESIGN & ENGINEERING SERVICES PVT.LTD. AND IS NOT TO BE DISCLOSED TO THE PUBLIC OR TO COMPETITORS UNLESS OTHERWISE AUTHORIZED IN WRITING BY:
GREEN DESIGN AND ENGINEERING SERVICES PVT. LTD.

13 12 11 10 9 8 7 6 5 4 3 2 1